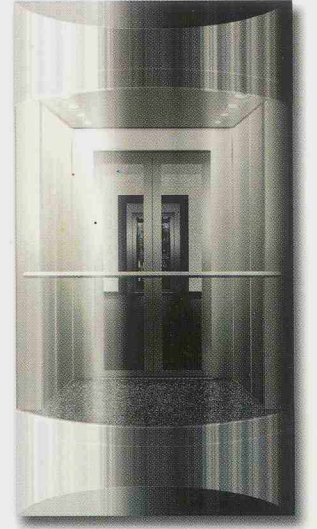


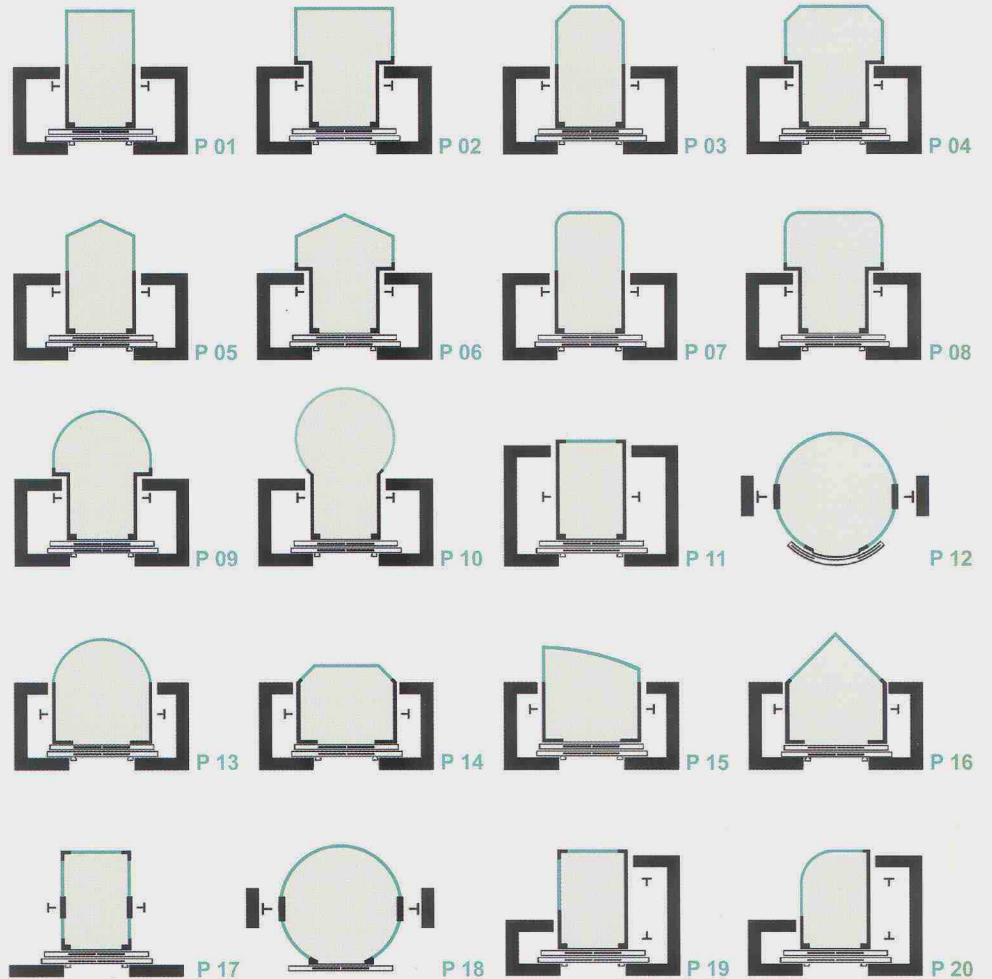
PANORAMIC LIFT CARS
PANORAMİK KABİNLER

ECOLINE
ISOLINE
CITYLINE
SPECIALINE

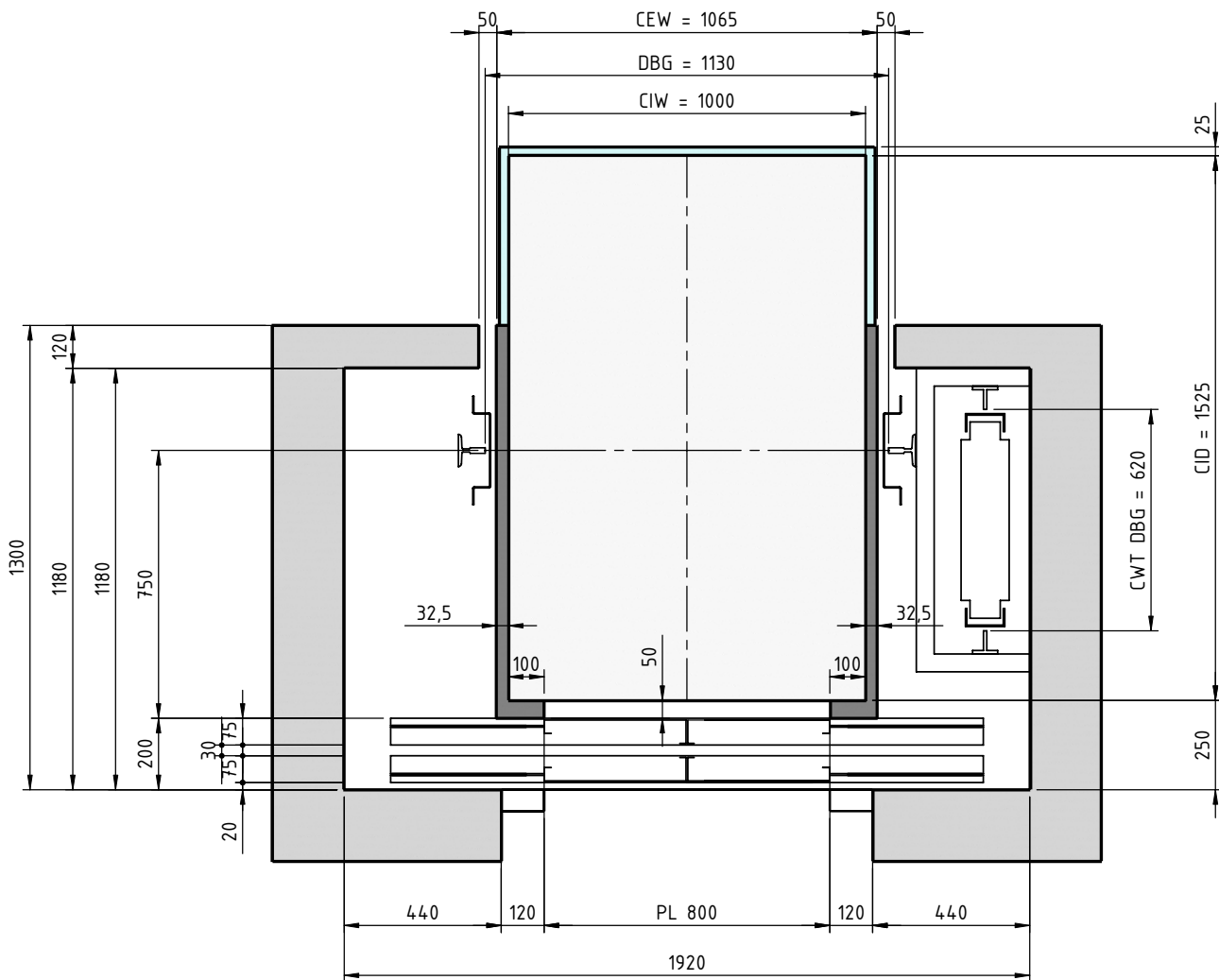


P 09 / ZURICH

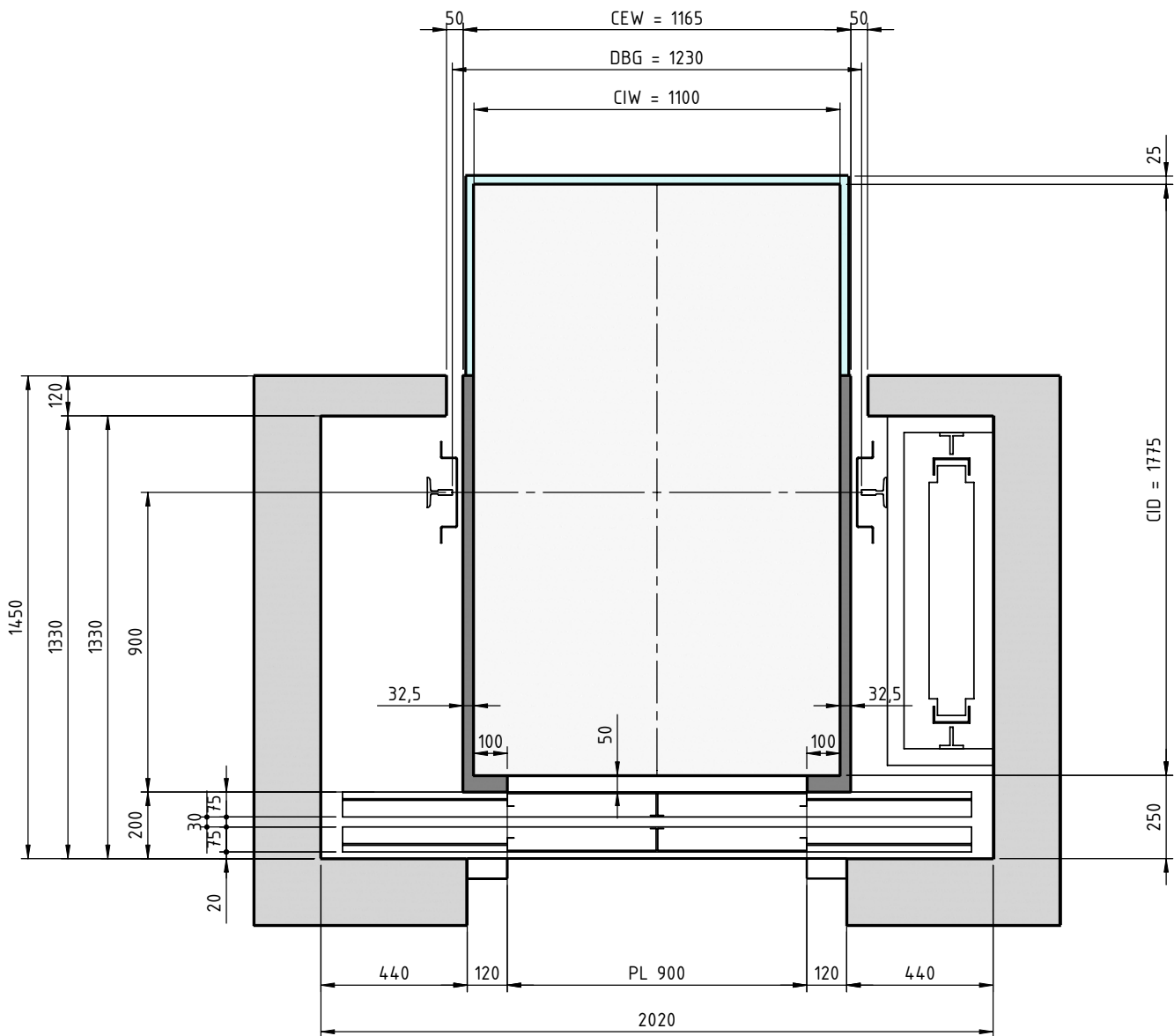
COMPETENCE IN COMPONENTS



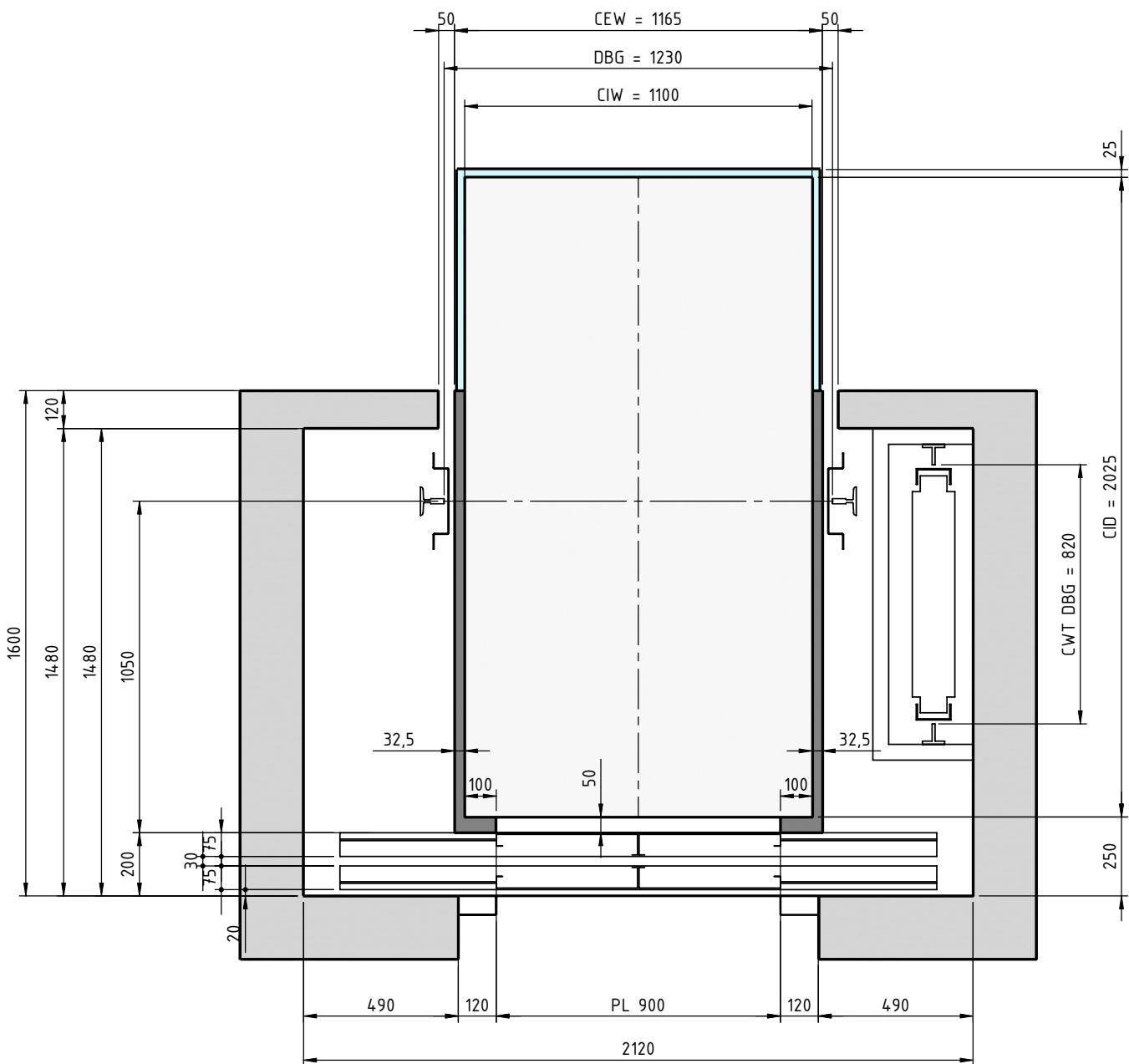
Shape = P01
 Rated Load = 630 kg
 Traction = Electric



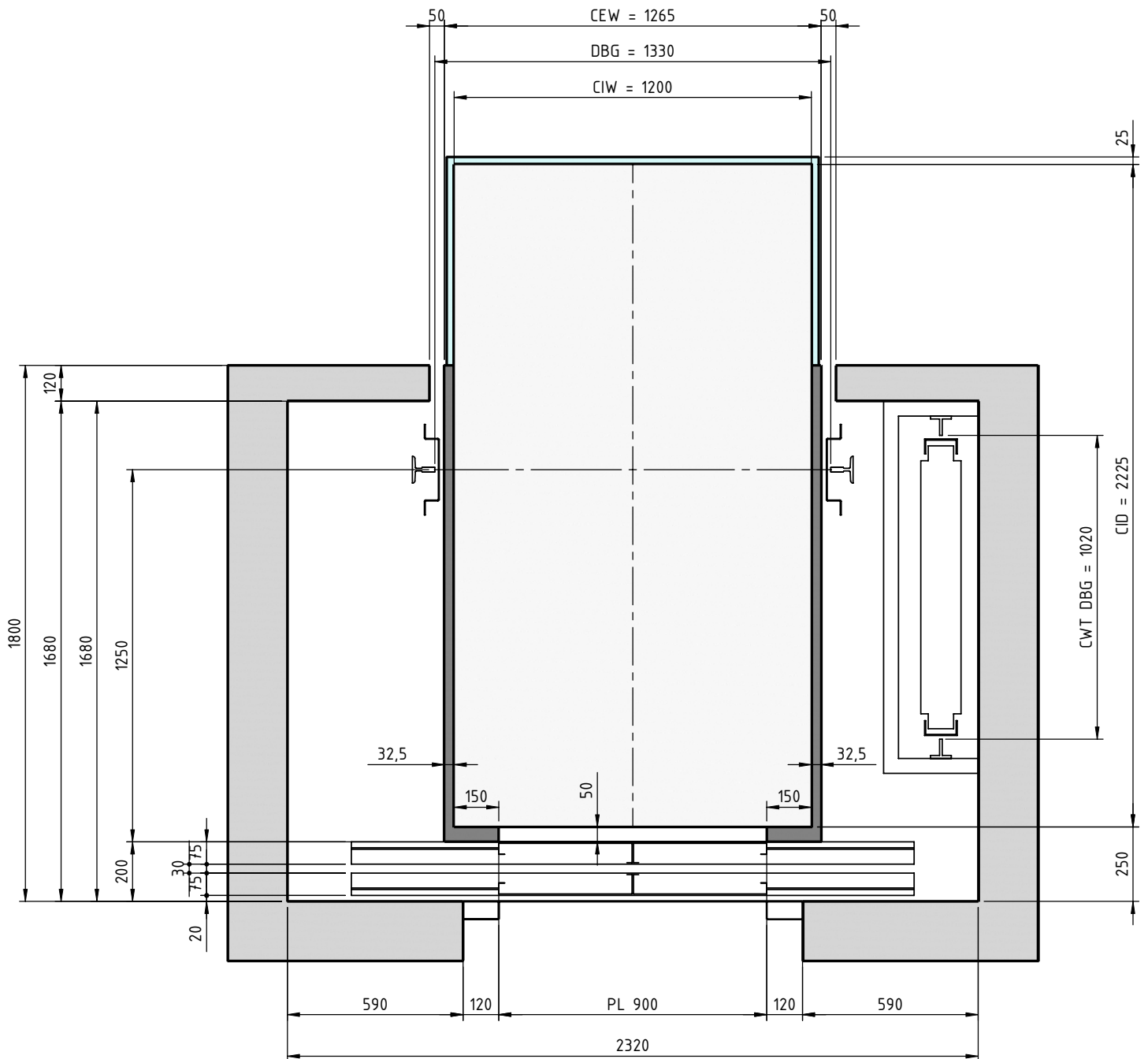
Shape = P01
 Rated Load = 800 kg
 Traction = Electric



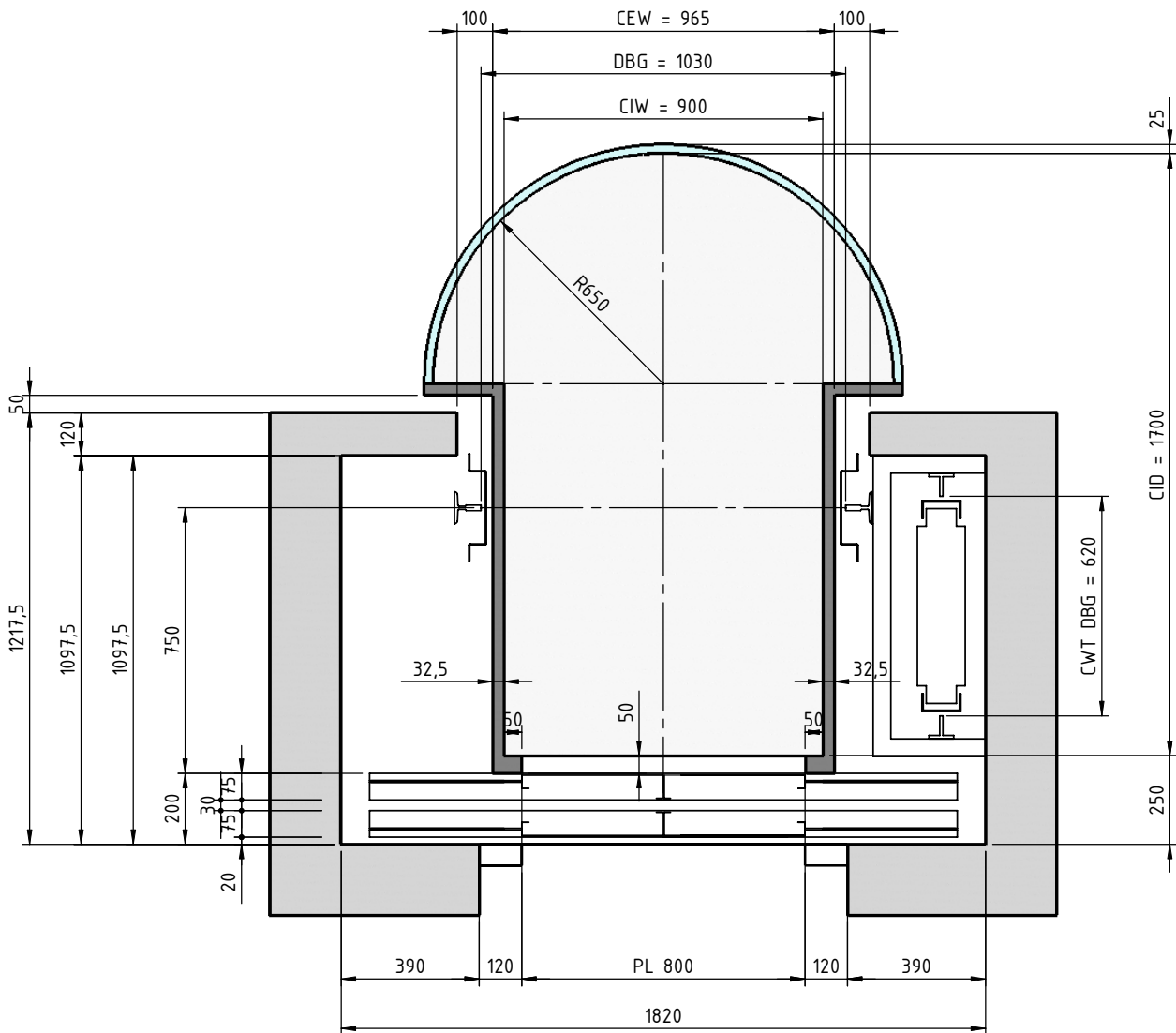
Shape = P01
 Rated Load = 1000 kg
 Traction = Electric



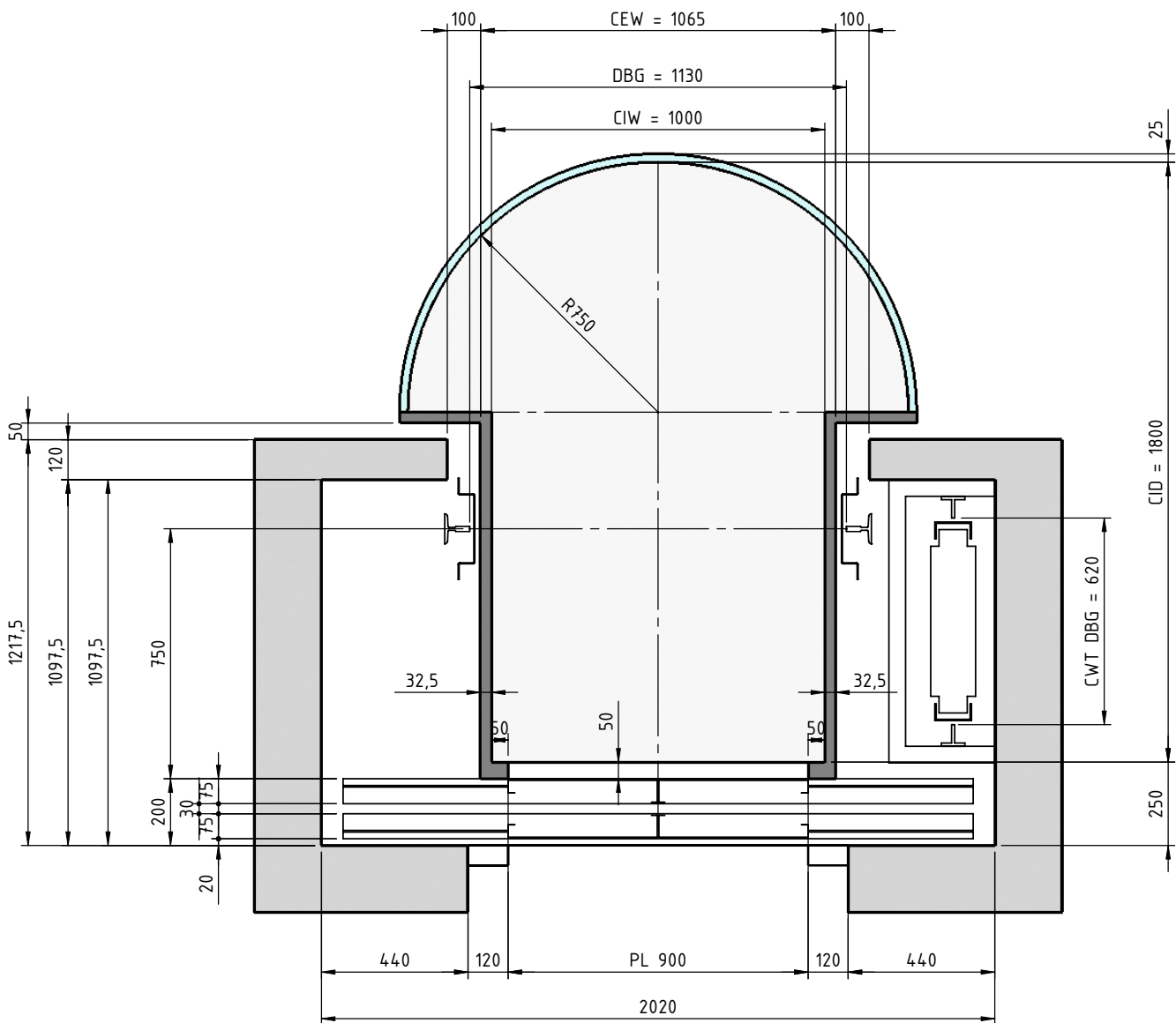
Shape = P01
 Rated Load = 1275 kg
 Traction = Electric



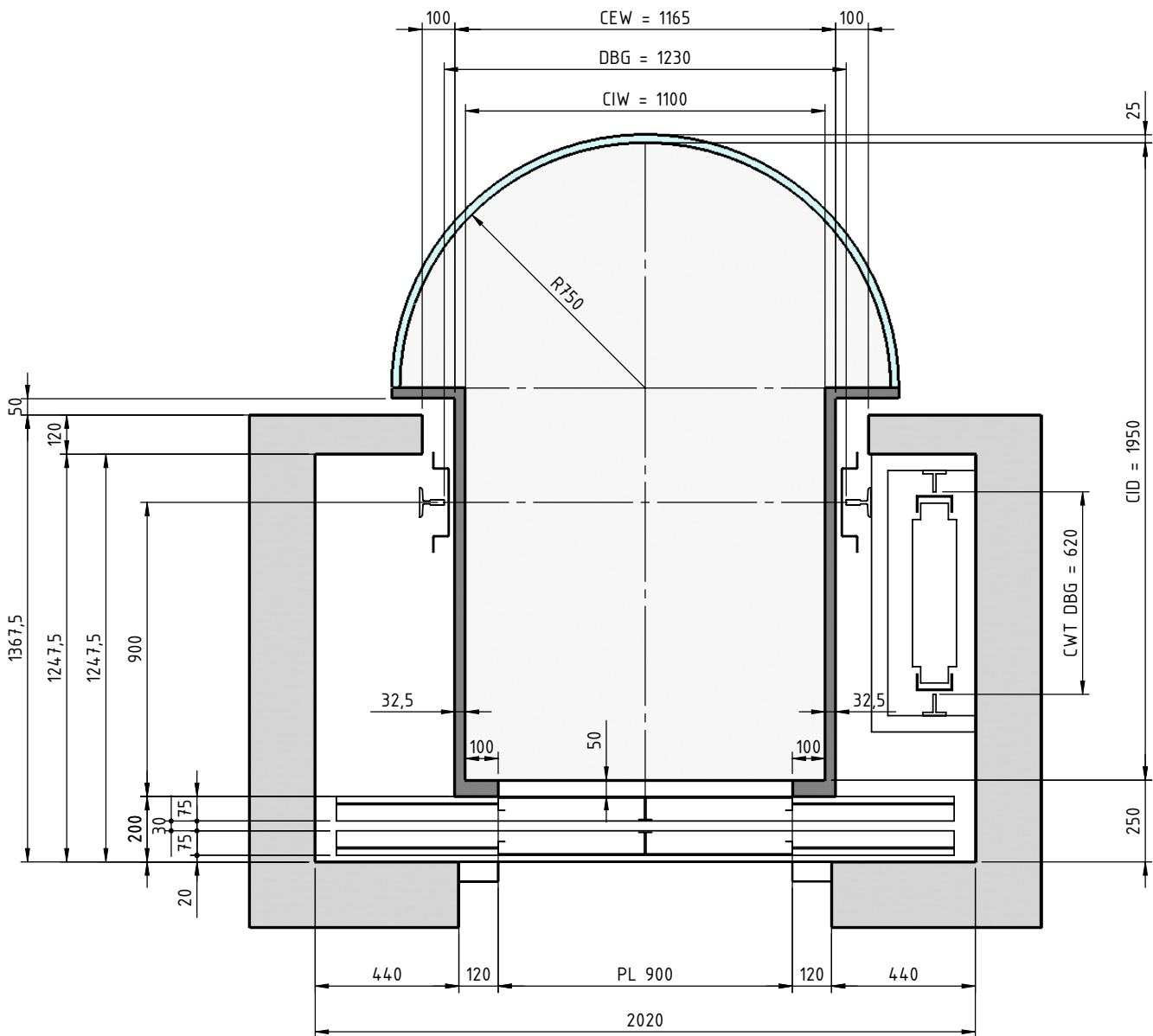
Shape = P09
 Rated Load = 630 kg
 Traction = Electric



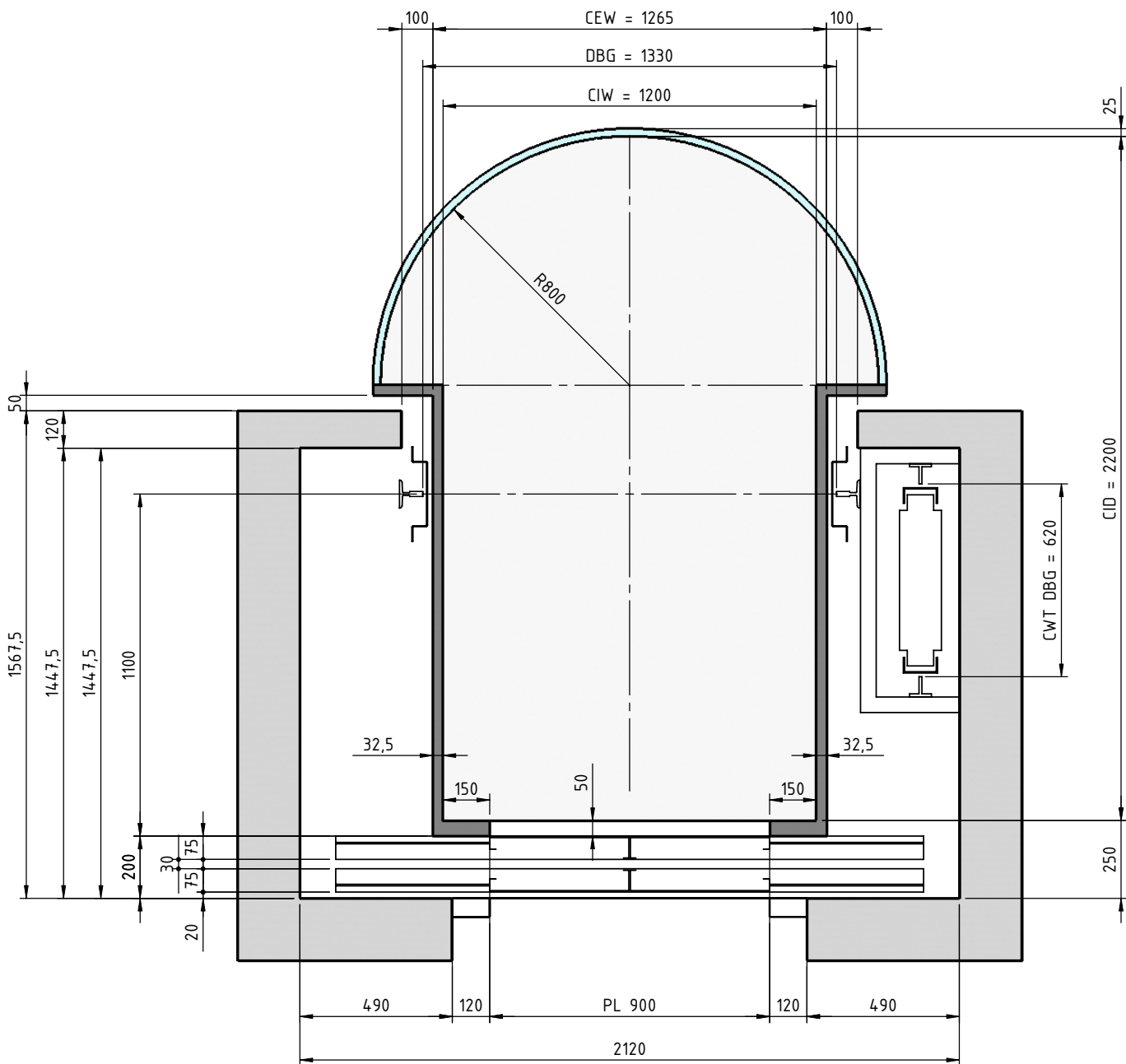
Shape = P09
 Rated Load = 800 kg
 Traction = Electric



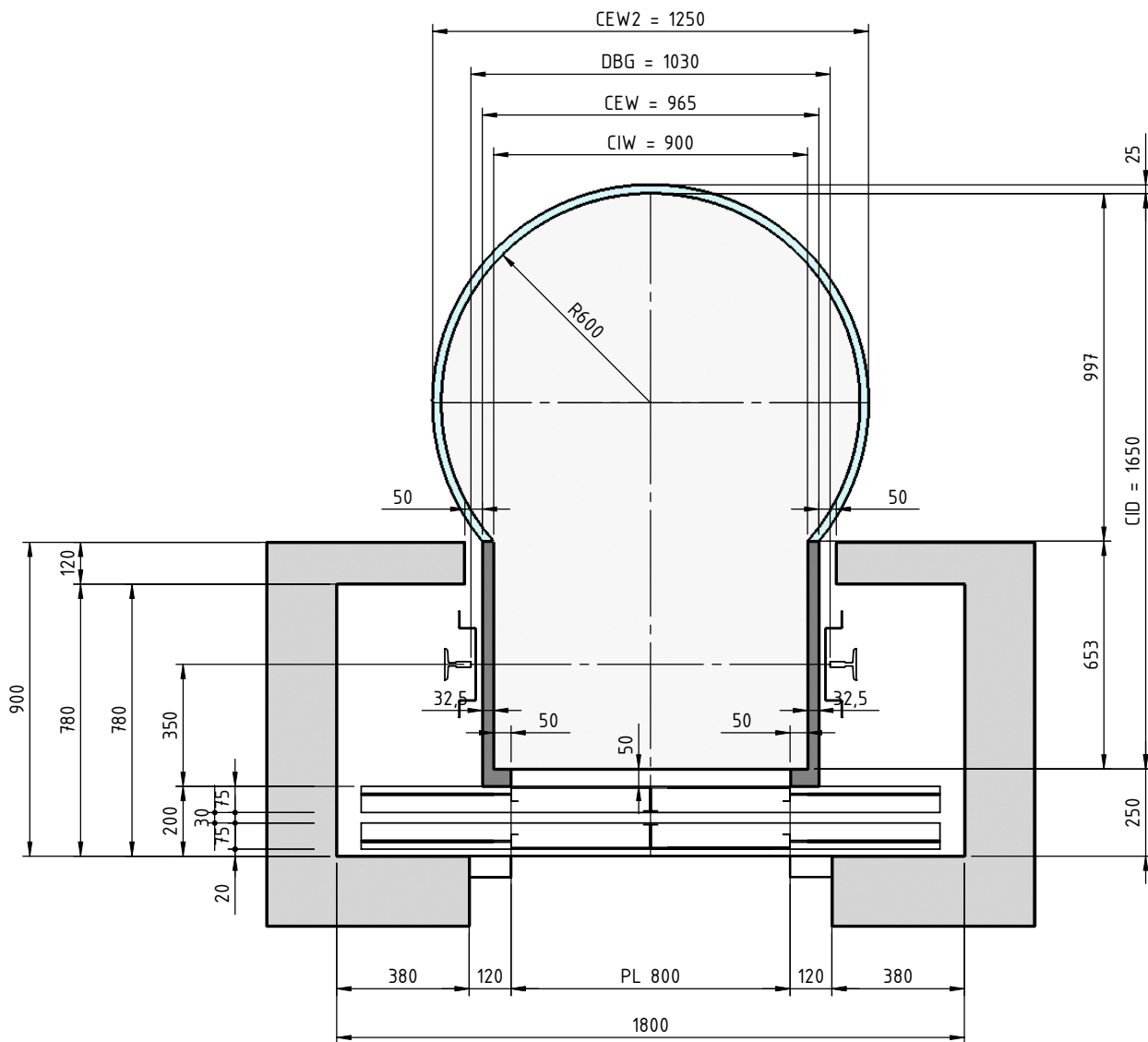
Shape = P09
 Rated Load = 1000 kg
 Traction = Electric



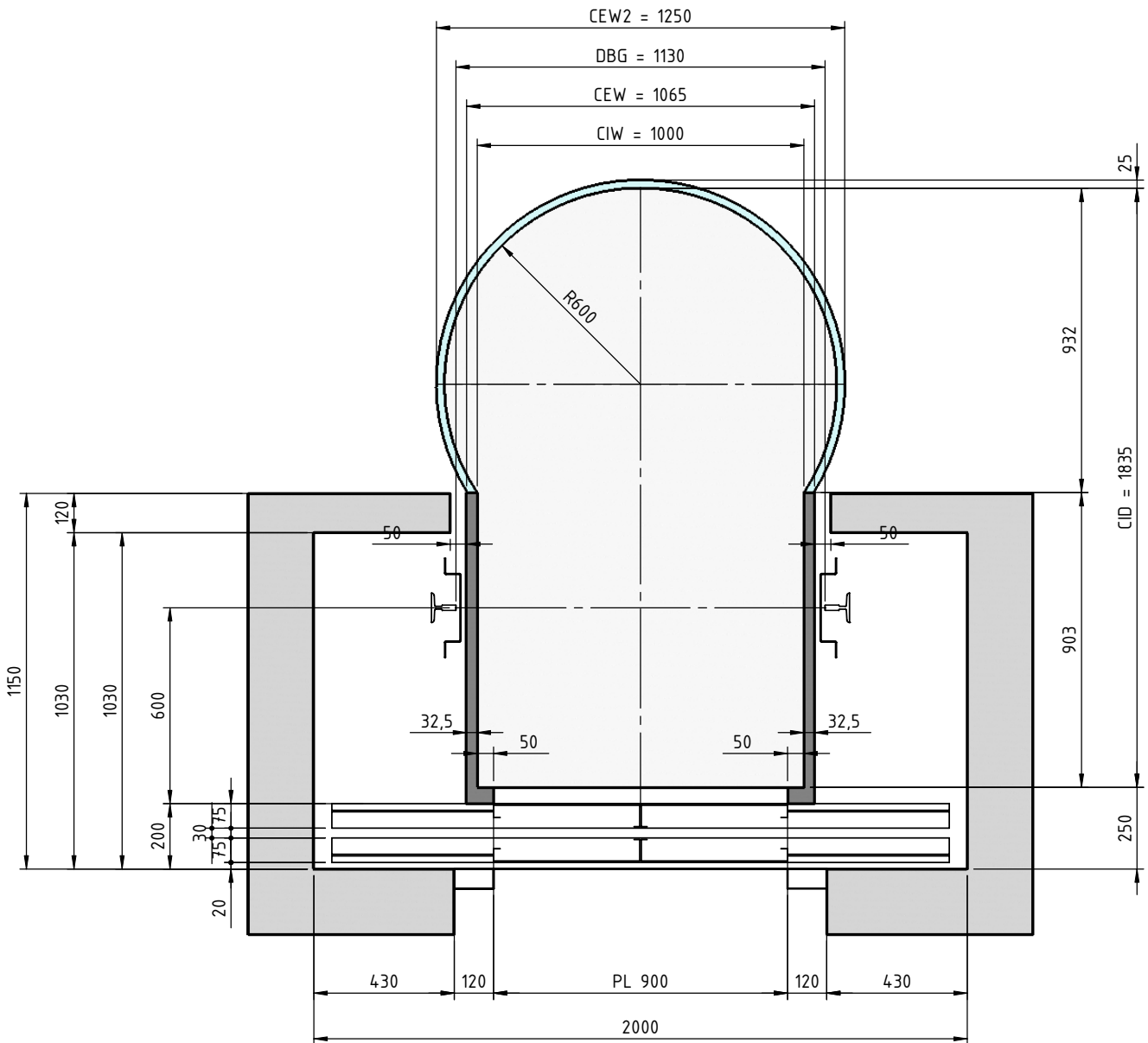
Shape = P09
 Rated Load = 1275 kg
 Traction = Electric



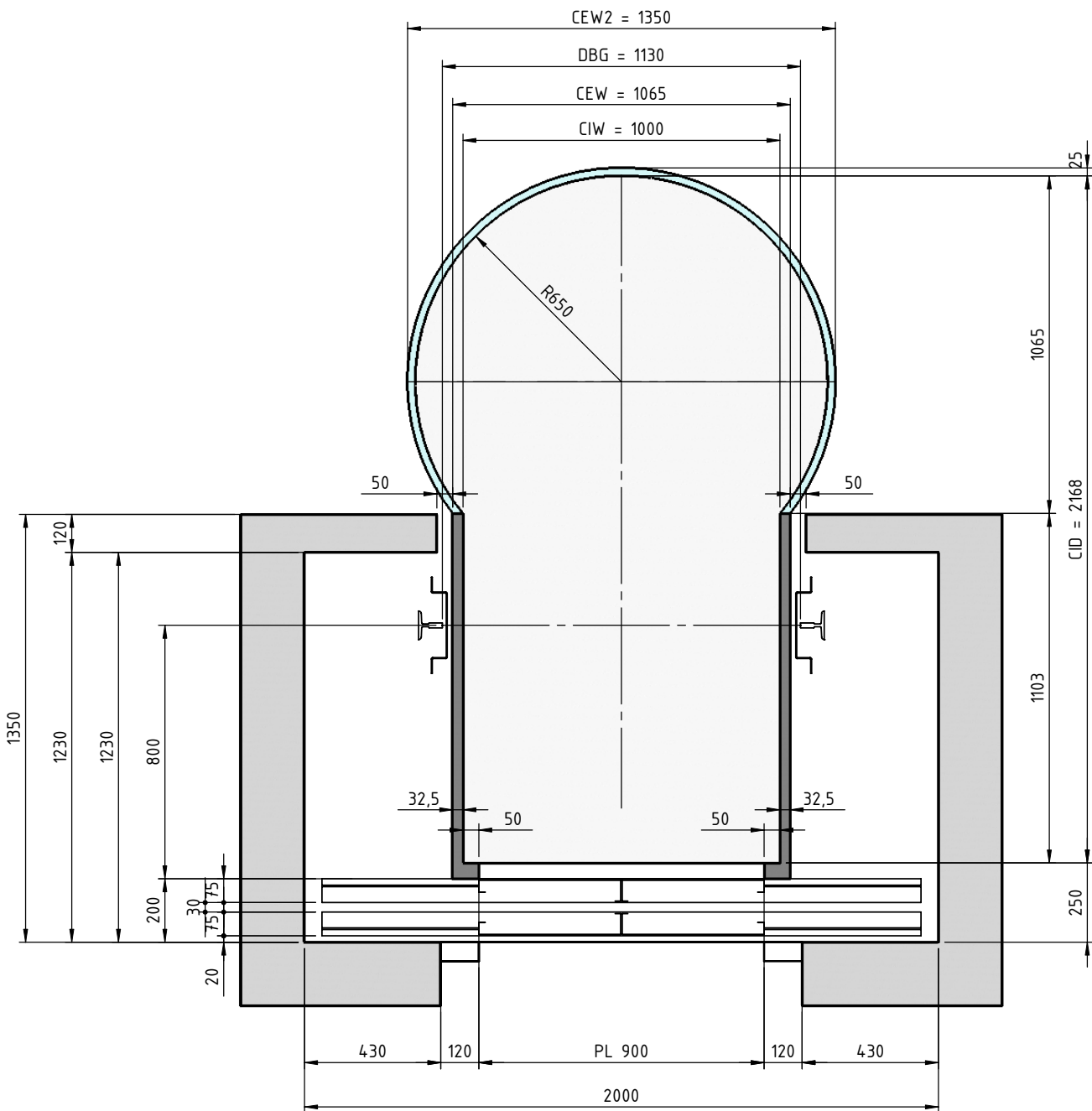
Shape = P10
 Rated Load = 630 kg
 Traction = Hydraulic



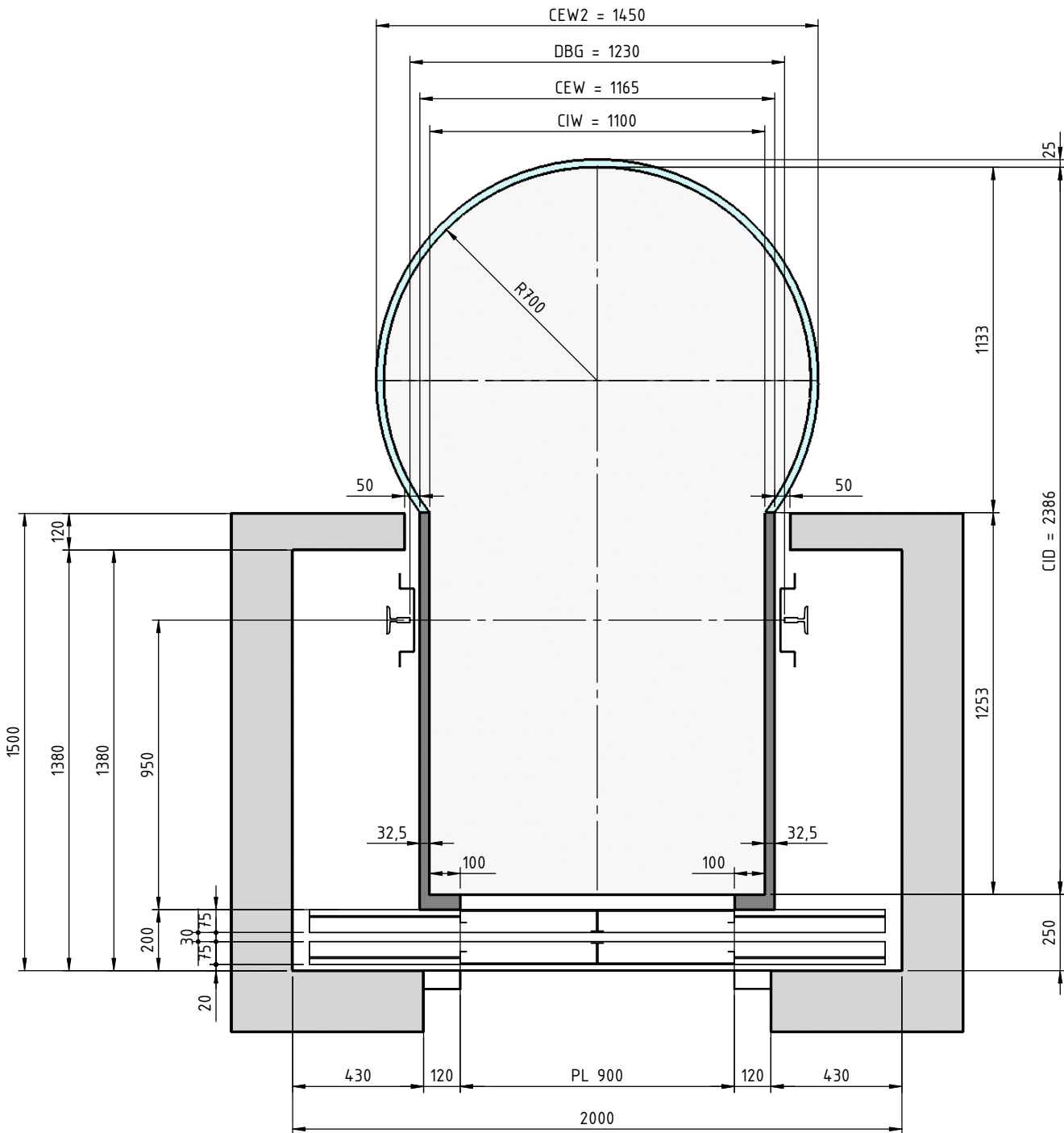
Shape = P10
 Rated Load = 800 kg
 Traction = Hydraulic



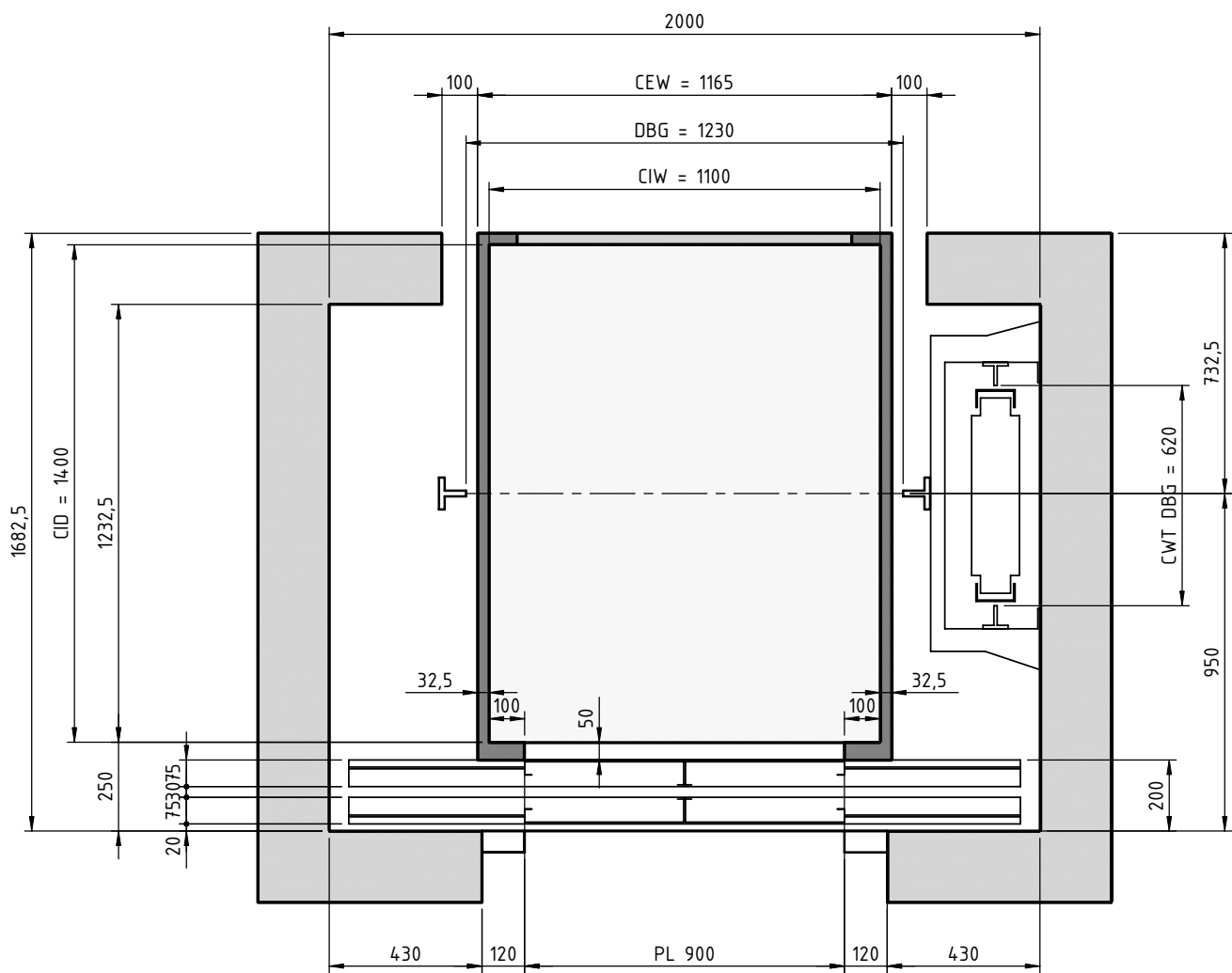
Shape = P10
 Rated Load = 1000 kg
 Traction = Hydraulic



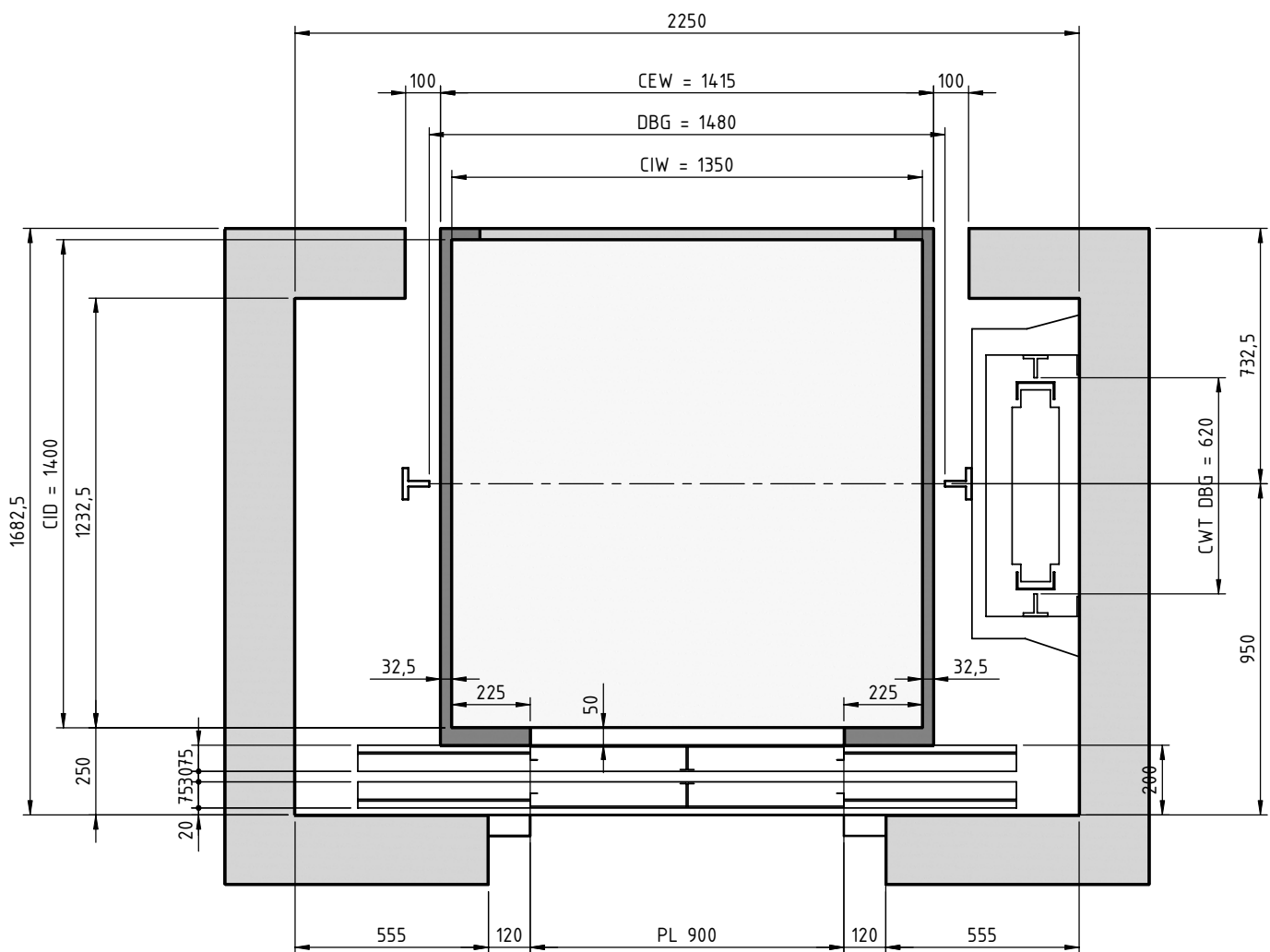
Shape = P10
 Rated Load = 1275 kg
 Traction = Hydraulic



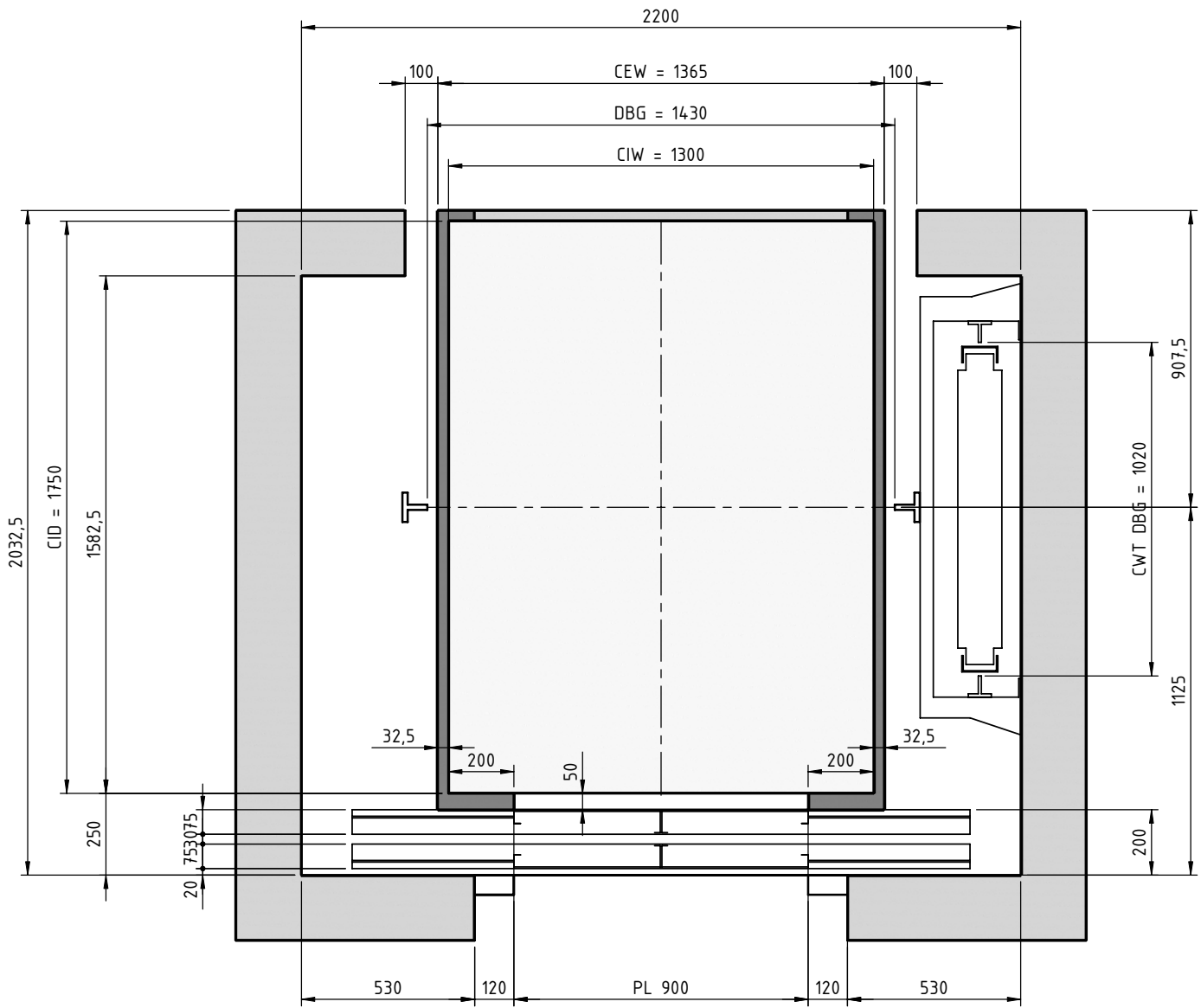
Shape = P11
 Rated Load = 630 kg
 Traction = Electric



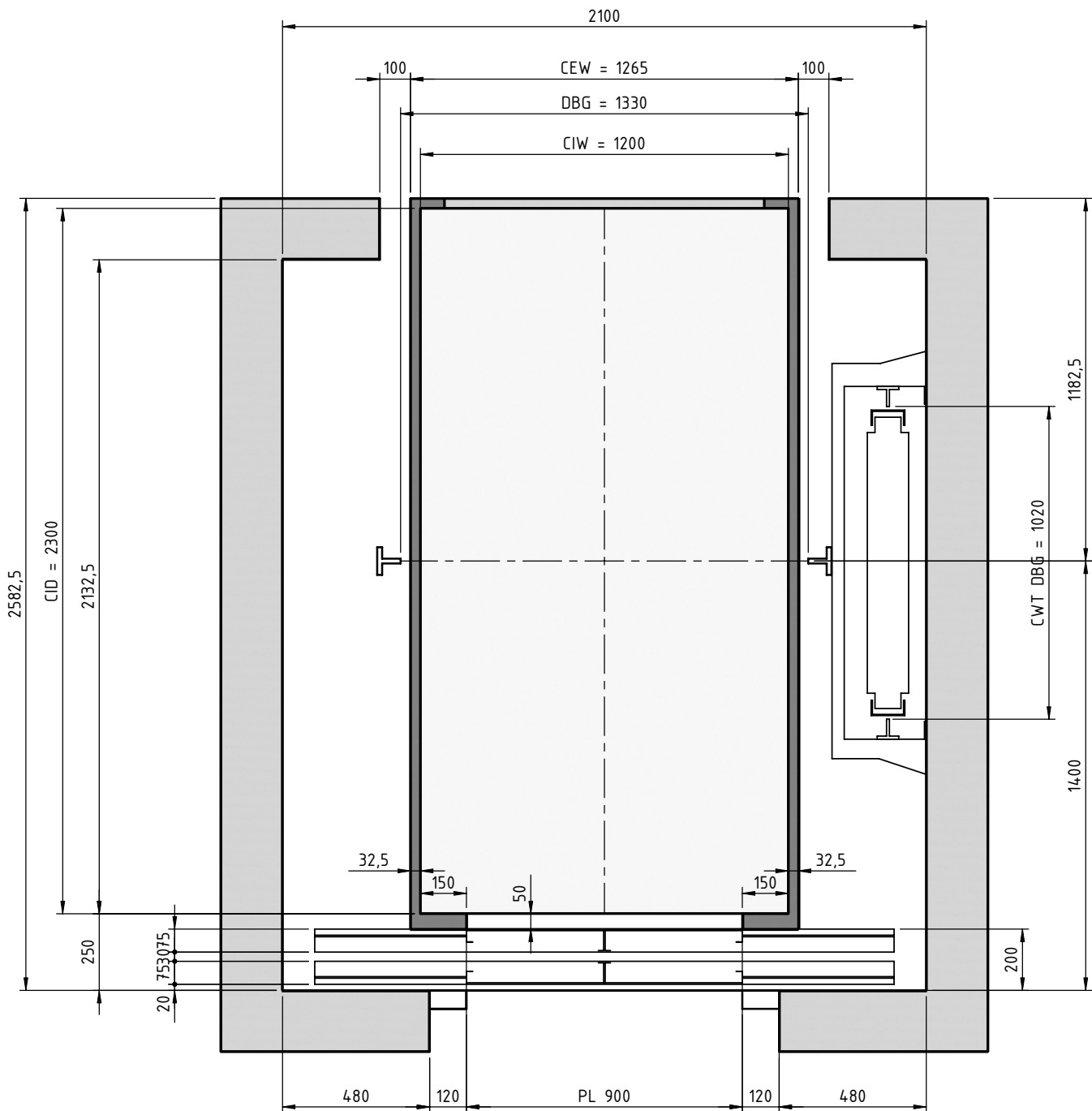
Shape = P11
 Rated Load = 800 kg
 Traction = Electric



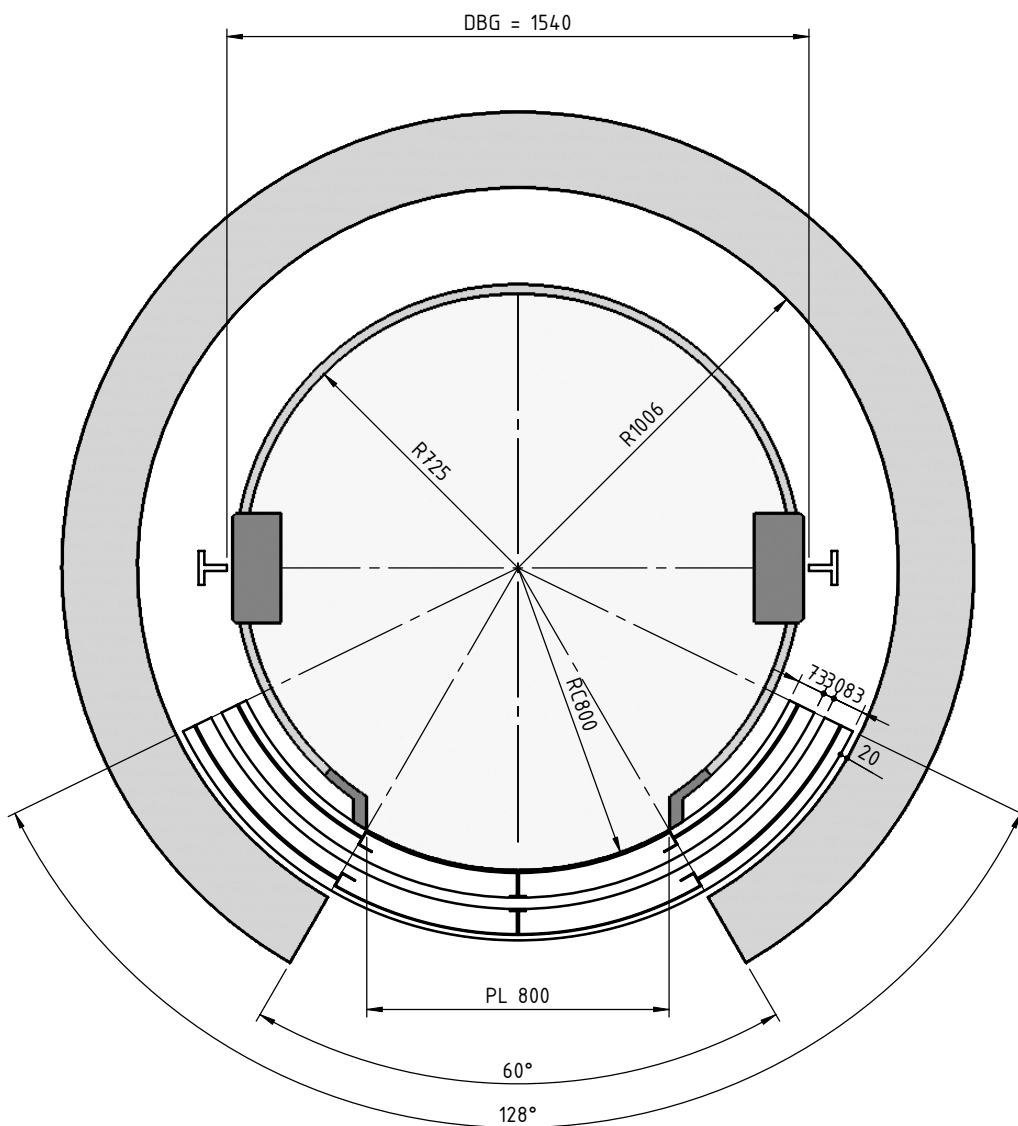
Shape = P11
 Rated Load = 1000 kg
 Traction = Electric



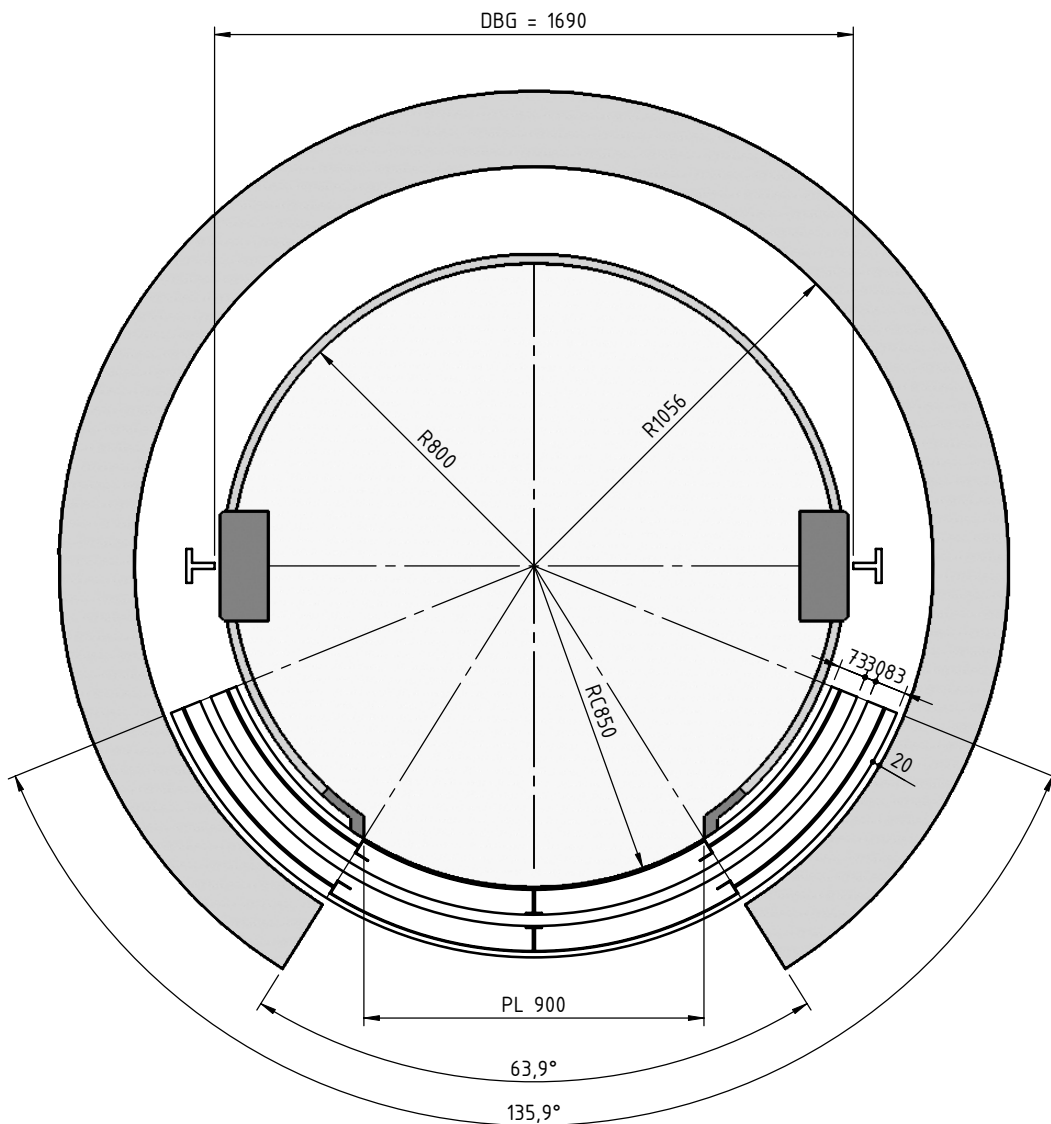
Shape = P11
 Rated Load = 1275 kg
 Traction = Electric



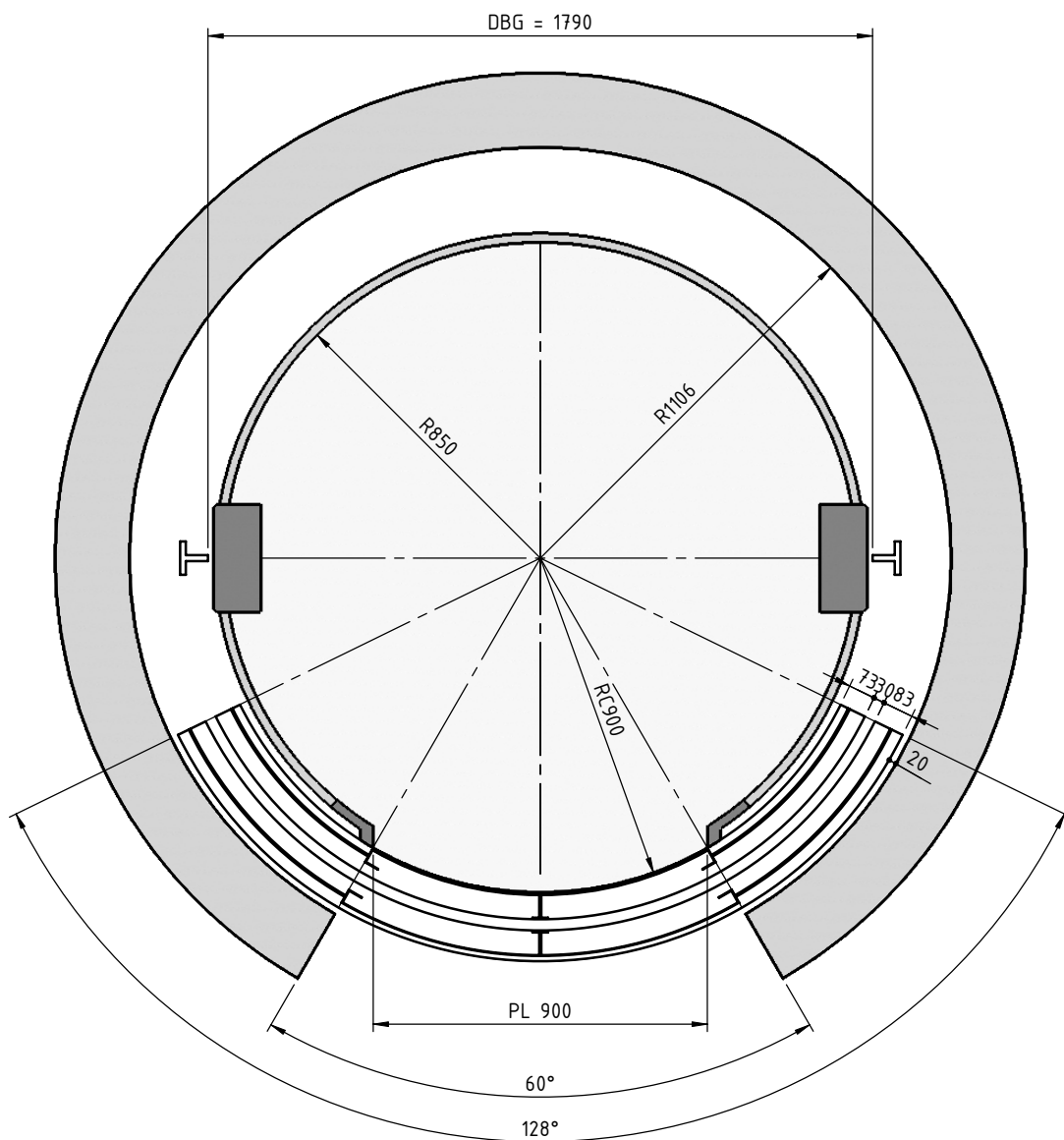
Shape = P12
Rated Load = 630 kg
Traction = Hydraulic



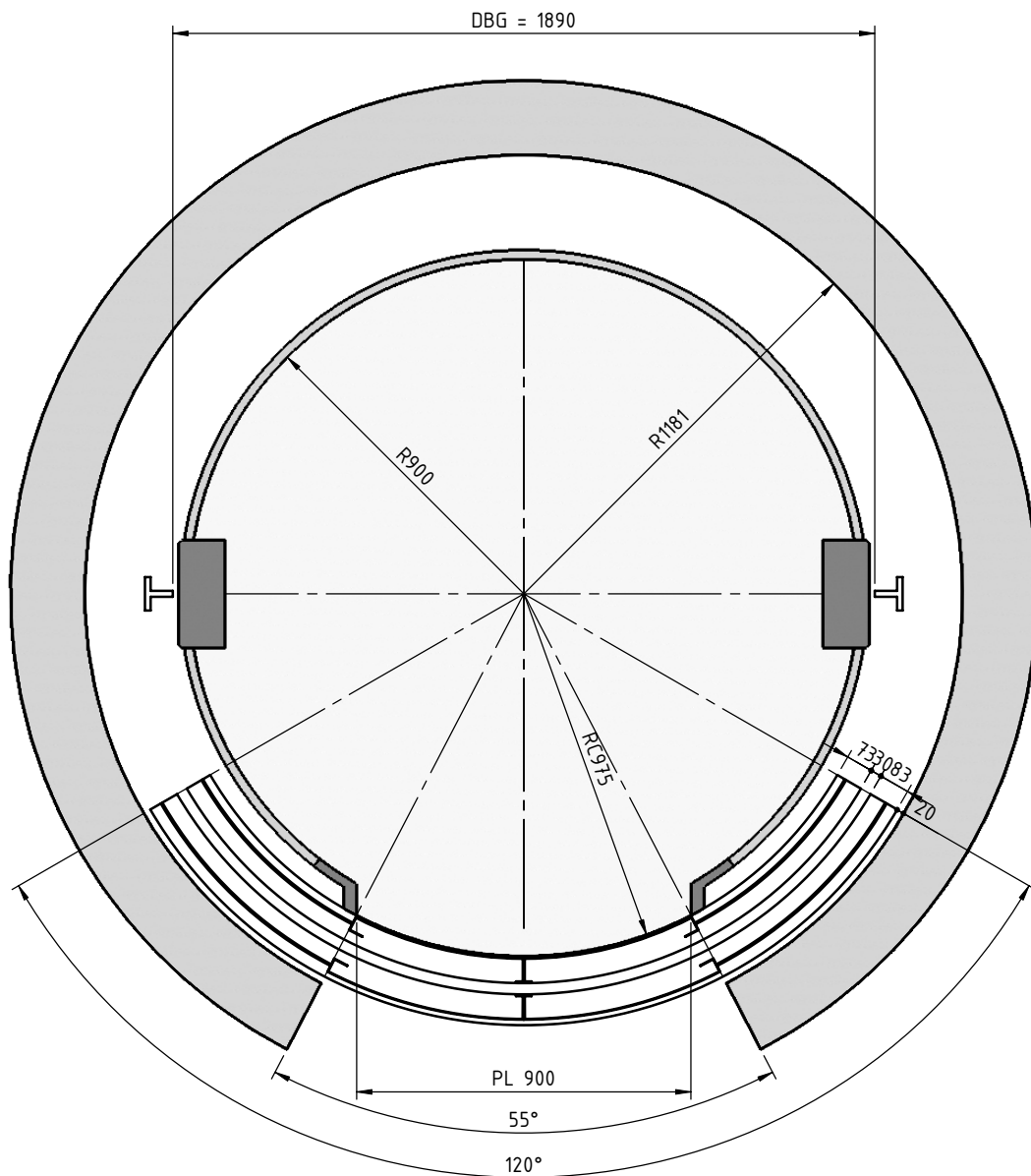
Shape = P12
Rated Load = 800 kg
Traction = Hydraulic



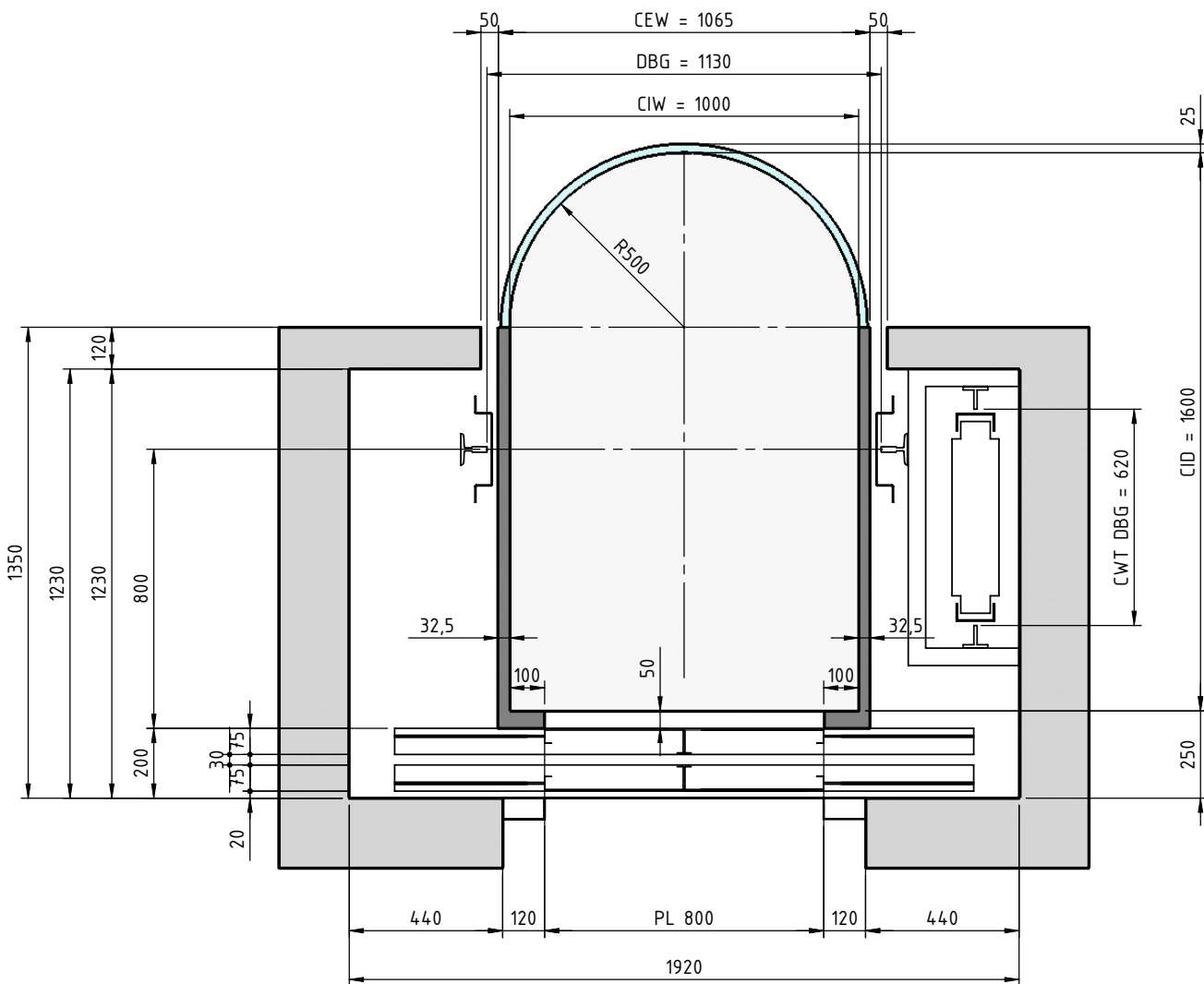
Shape = P12
Rated Load = 1000 kg
Traction = Hydraulic



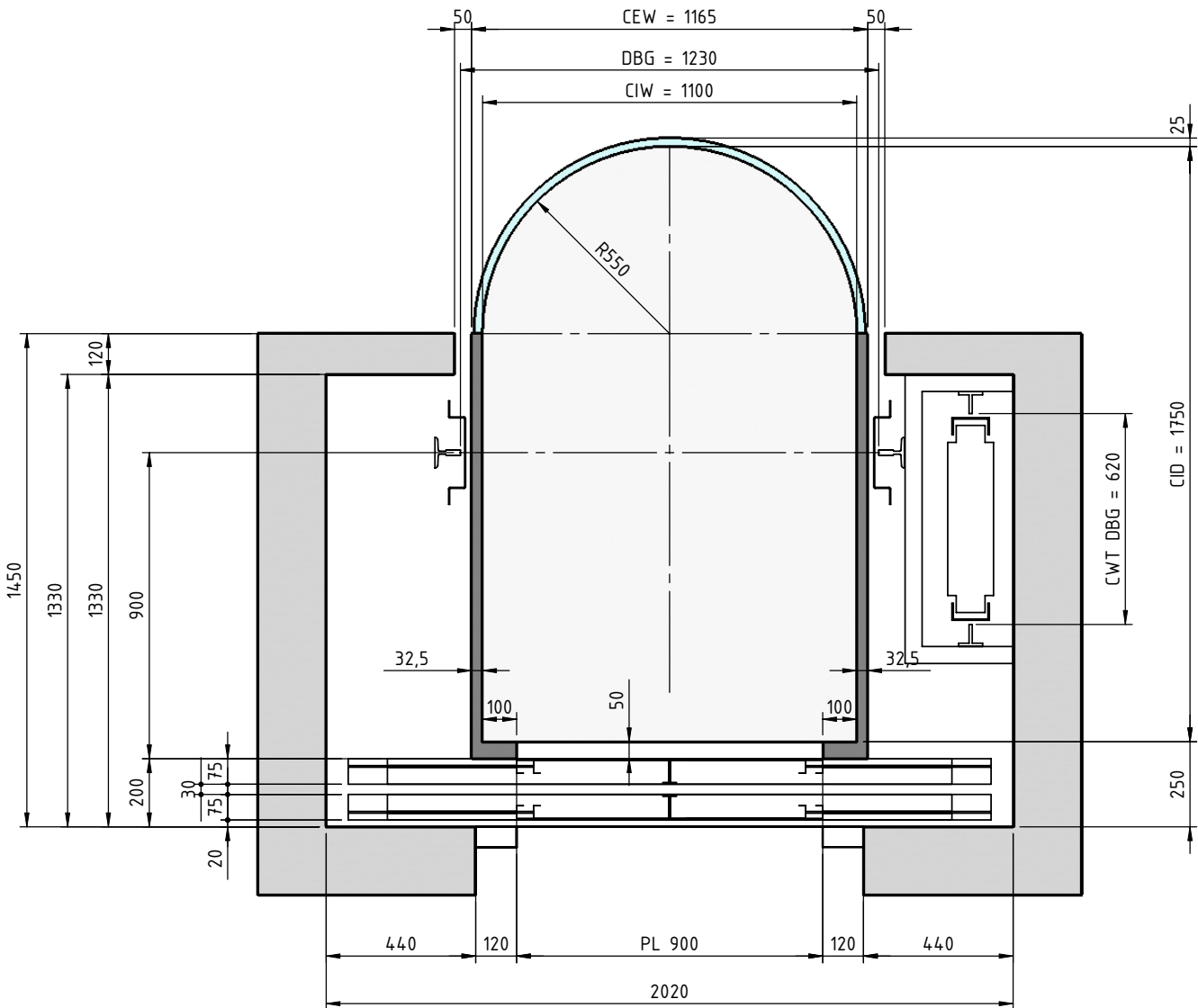
Shape = P12
Rated Load = 1275 kg
Traction = Hydraulic



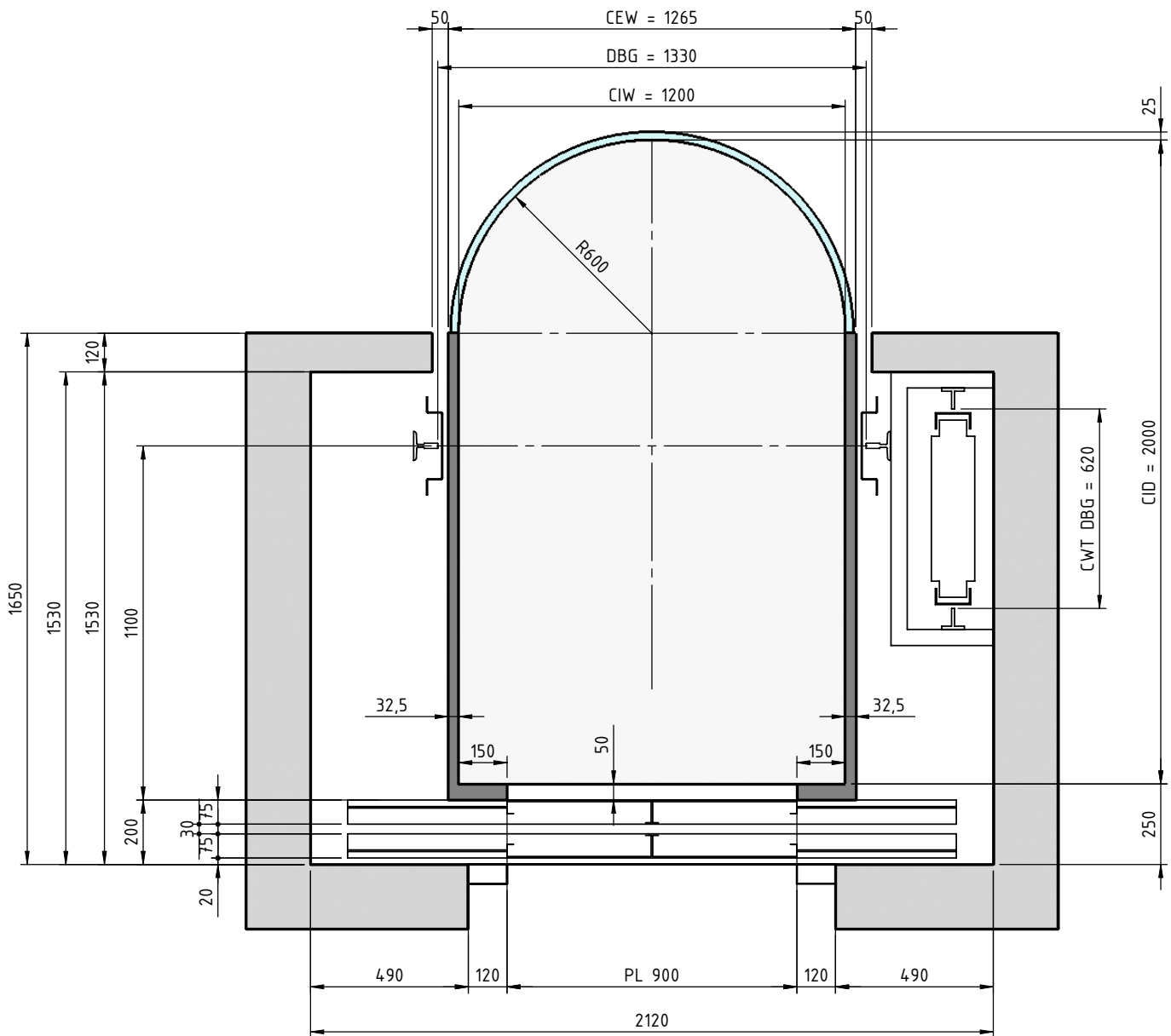
Shape = P13
 Rated Load = 630 kg
 Traction = Electric



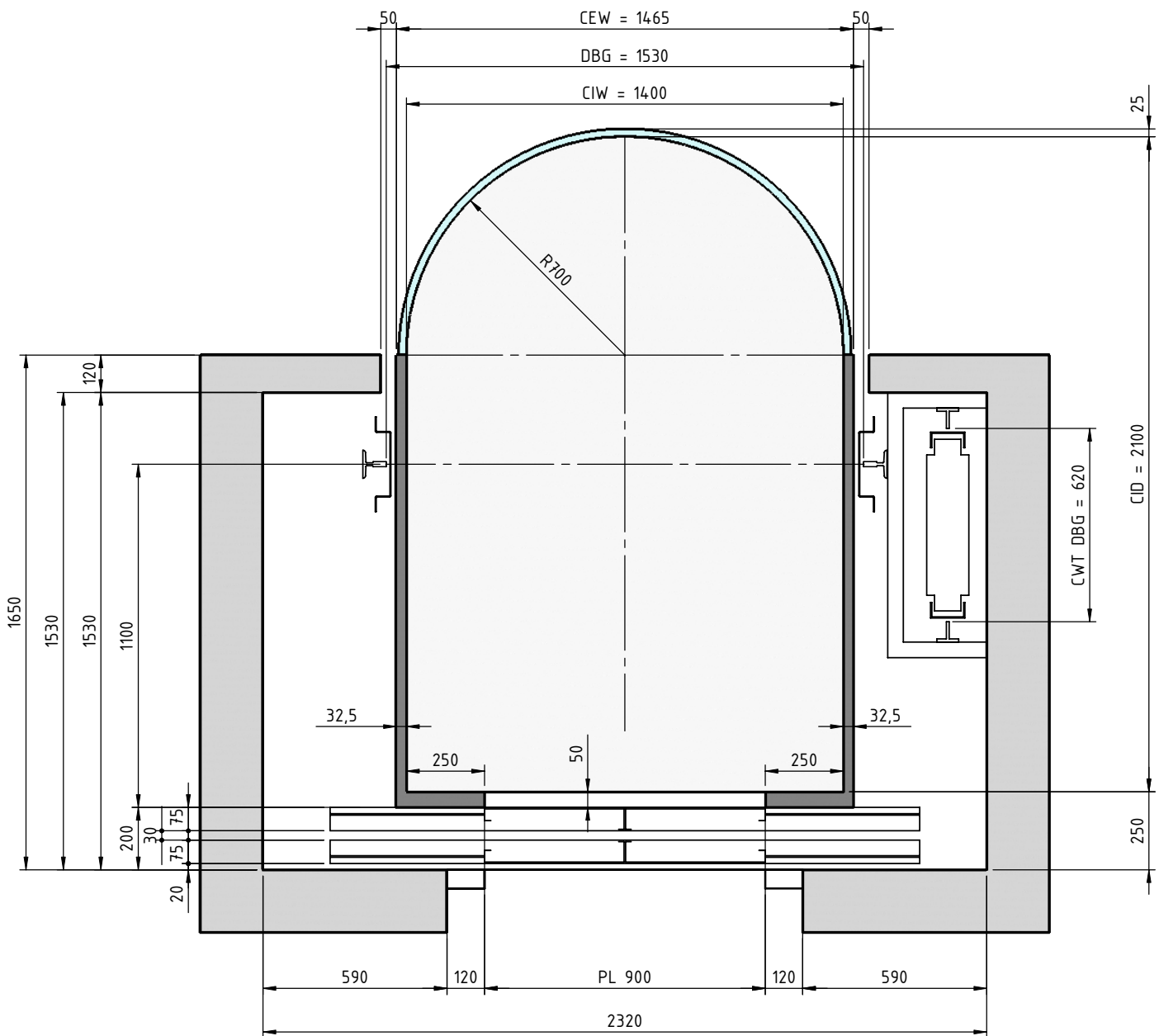
Shape = P13
 Rated Load = 800 kg
 Traction = Electric



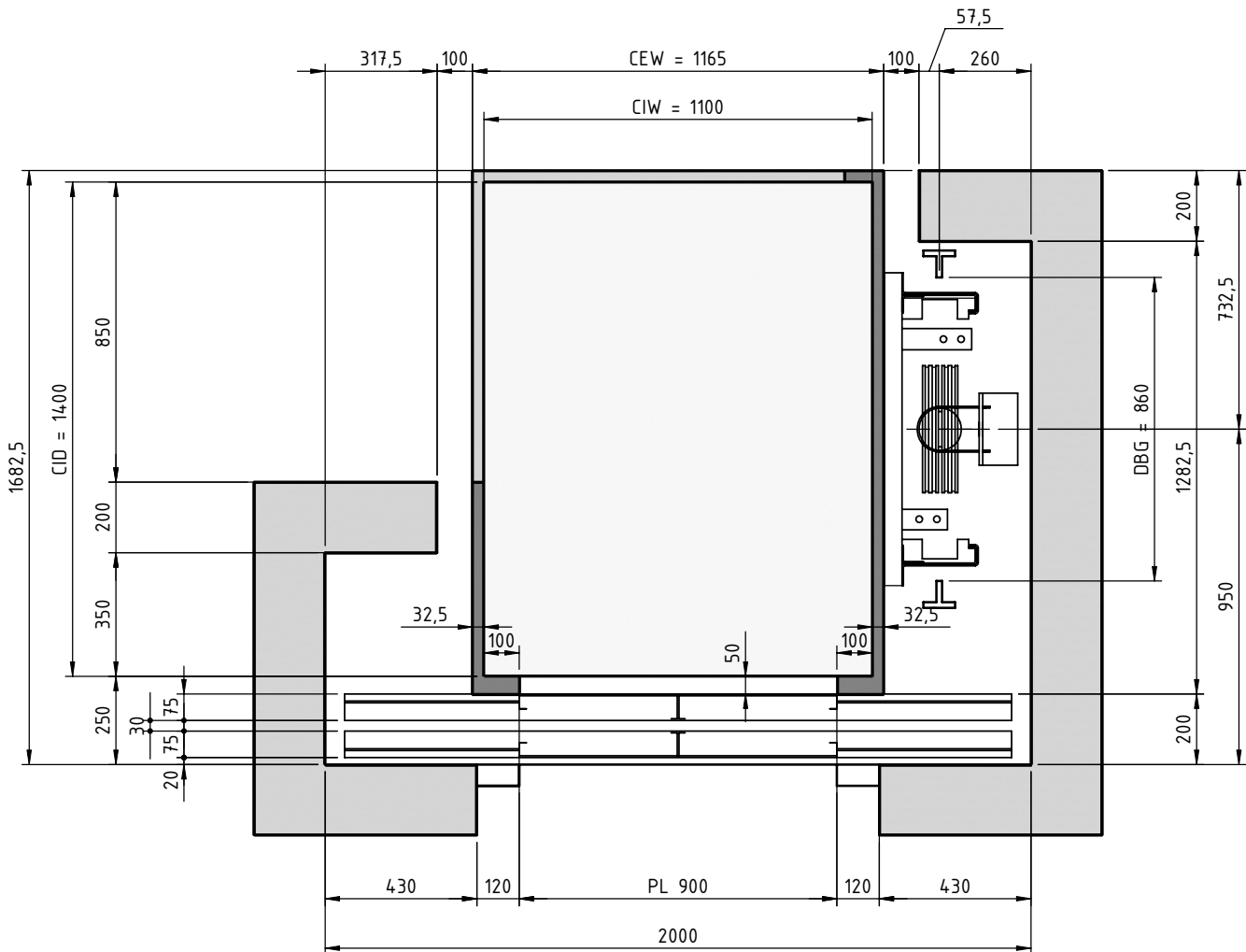
Shape = P13
 Rated Load = 1000 kg
 Traction = Electric



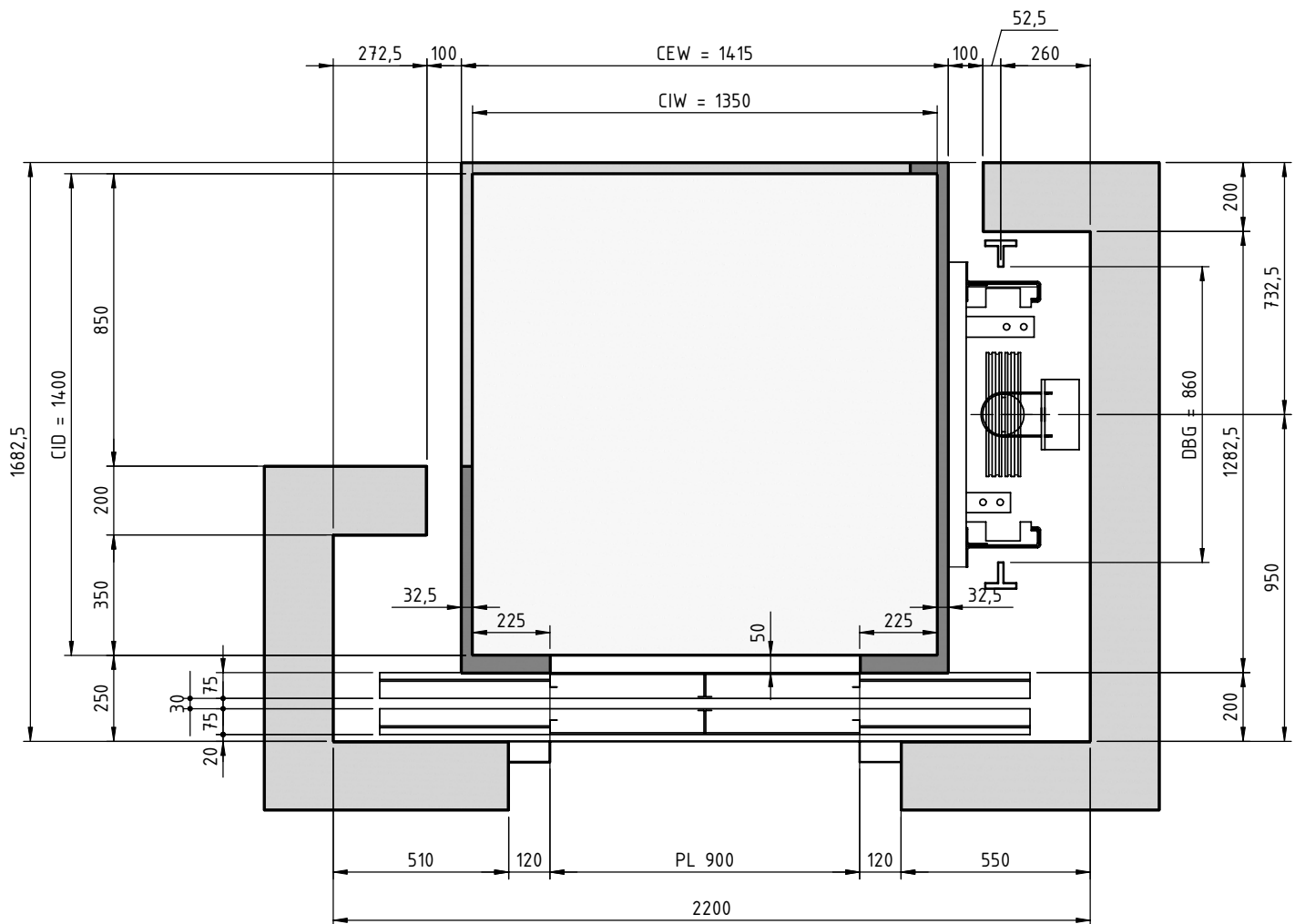
Shape = P13
 Rated Load = 1275 kg
 Traction = Electric



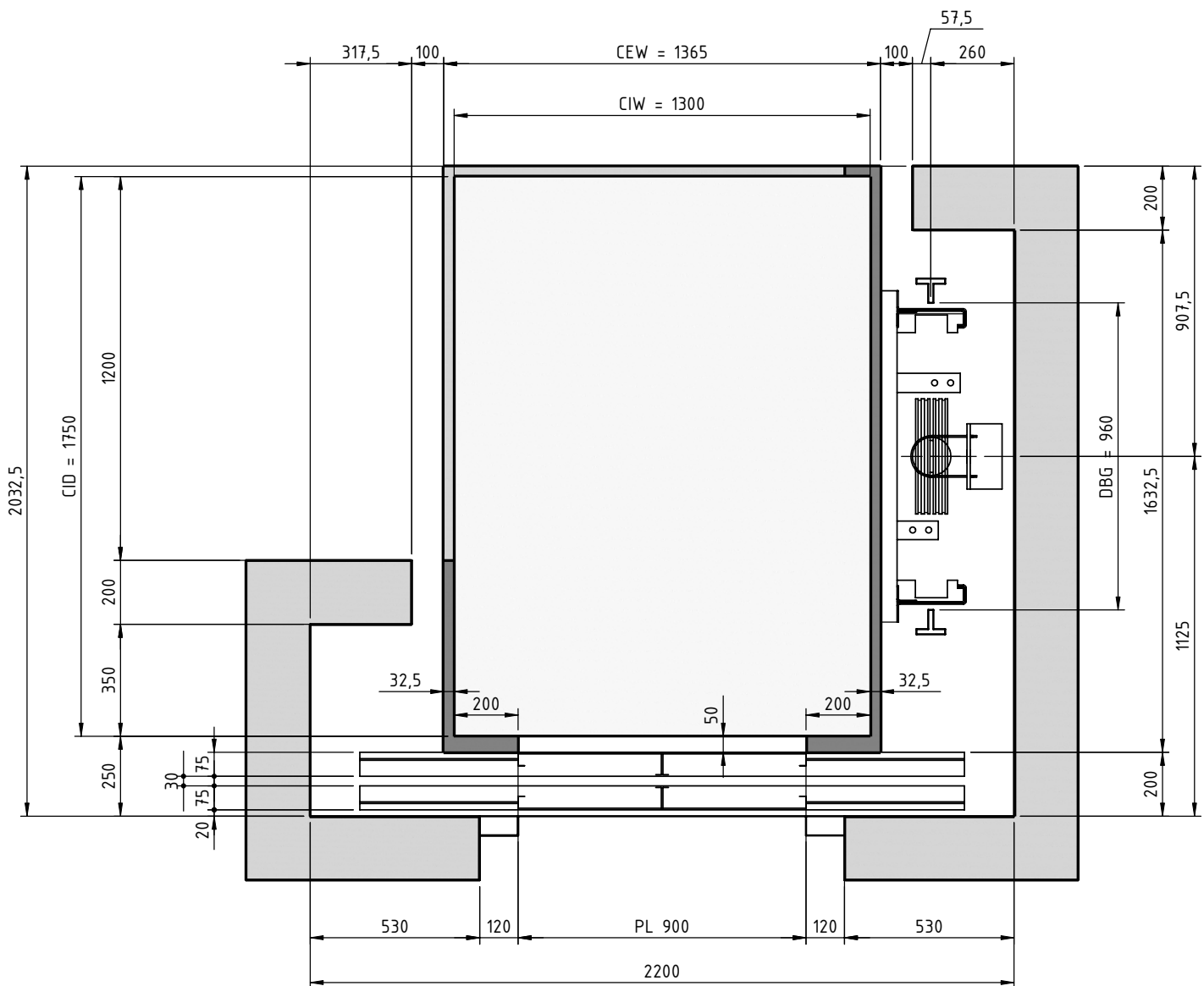
Shape = P19
 Rated Load = 630 kg
 Traction = Electric



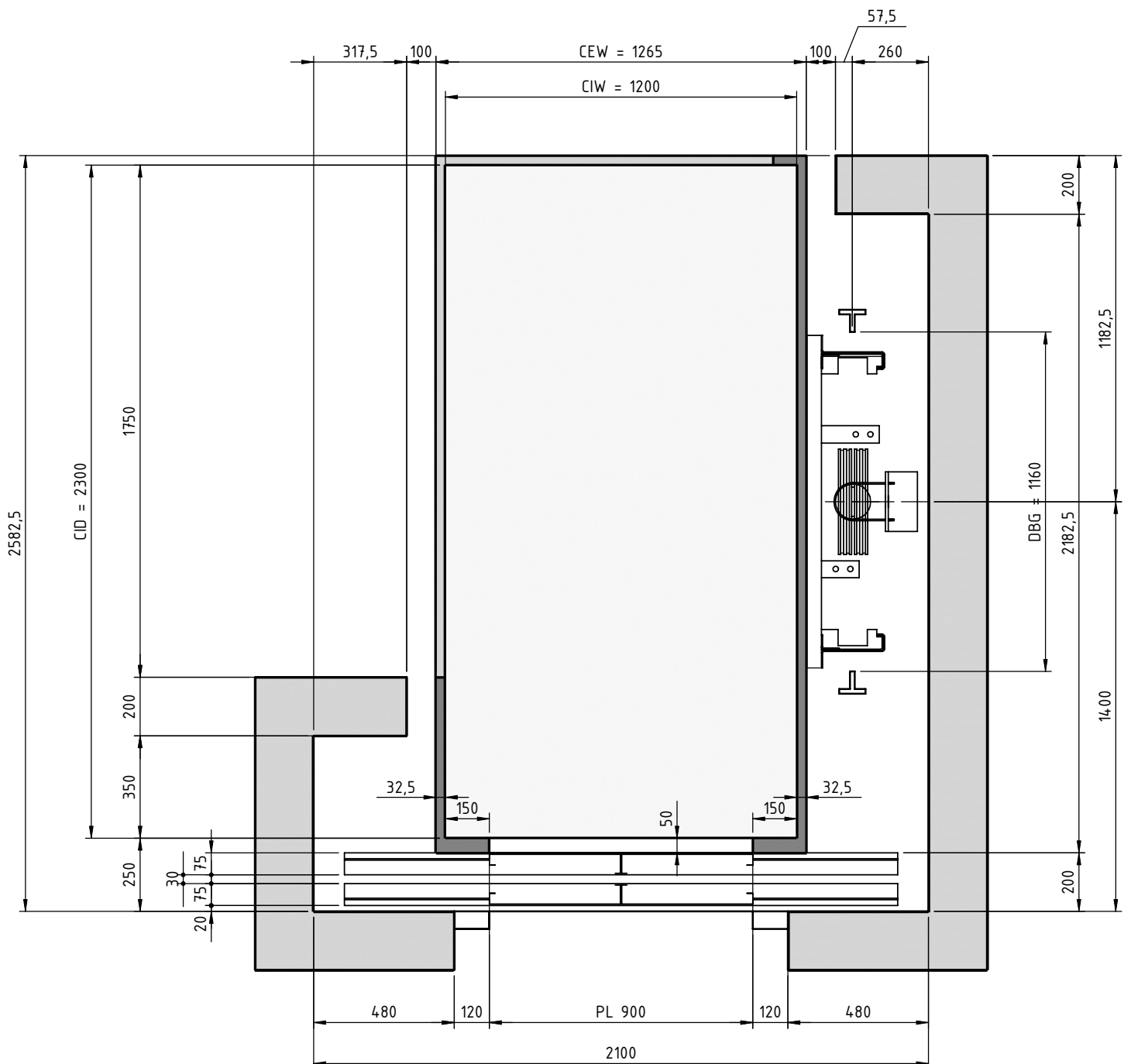
Shape = P19
 Rated Load = 800 kg
 Traction = Electric



Shape = P19
 Rated Load = 1000 kg
 Traction = Electric



Shape = P19
 Rated Load = 1000 kg
 Traction = Electric





Киев

Центральный офис

Украина, 03022,
ул. Васильковская, 34 оф. 328
Тел.: (044) 455-73-25
Факс: (044) 455-73-26
Моб.: (067) 408-43-13
e-mail: office@uvl.ua

Мариуполь

Региональный офис

Украина, 87518,
ул. Громовой, 63
Тел.: (0629) 41-05-56
Факс: (0629) 41-05-79
Моб.: (067) 541-44-92
e-mail: mariupol.lift@uvl.ua

Донецк

Региональный офис

Украина, 83102,
ул. Куйбышева, 73 оф. 307
Тел./Факс: (062) 345-37-02
Моб.: (067) 541-41-16
e-mail: donetsk.lift@uvl.ua

Севастополь

Региональный офис

Украина, 99011,
ул. Костомаровская, 1/46 оф. 48
Тел./Факс: (0692) 55-74-35
Моб.: (098) 570-73-00
e-mail: sevastopol.lift@uvl.ua